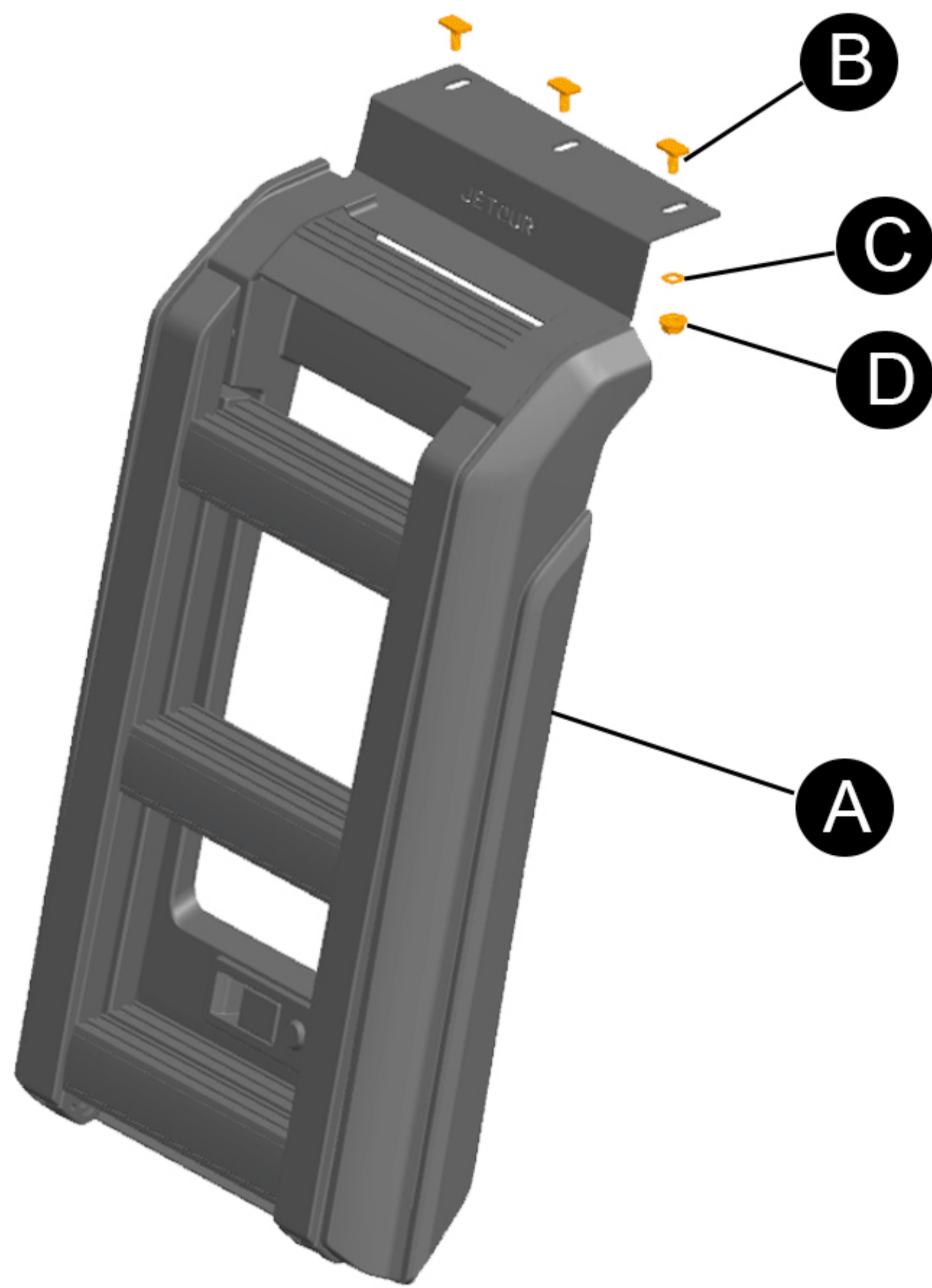


INSTALLATION INSTRUCTIONS OF SIDE LADDER FOR JETOUR

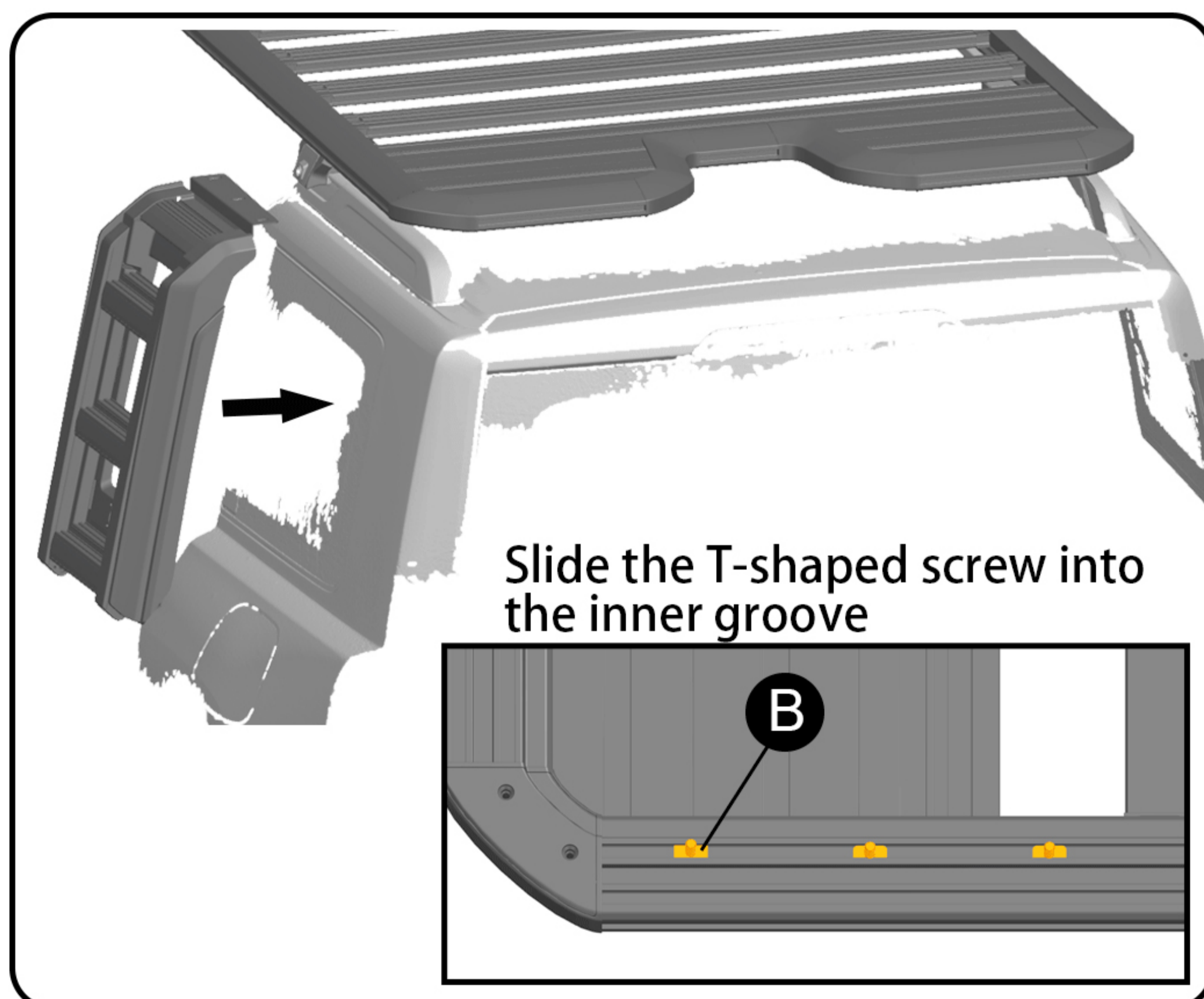
1 PARTS LIST 1



	QTY	NAME
A	x 1	Side ladder
B	x 3	M8x18 T-shaped screw
C	x 3	M8 washer
D	x 3	M8 nut
E	x 2	Adhesion promoter

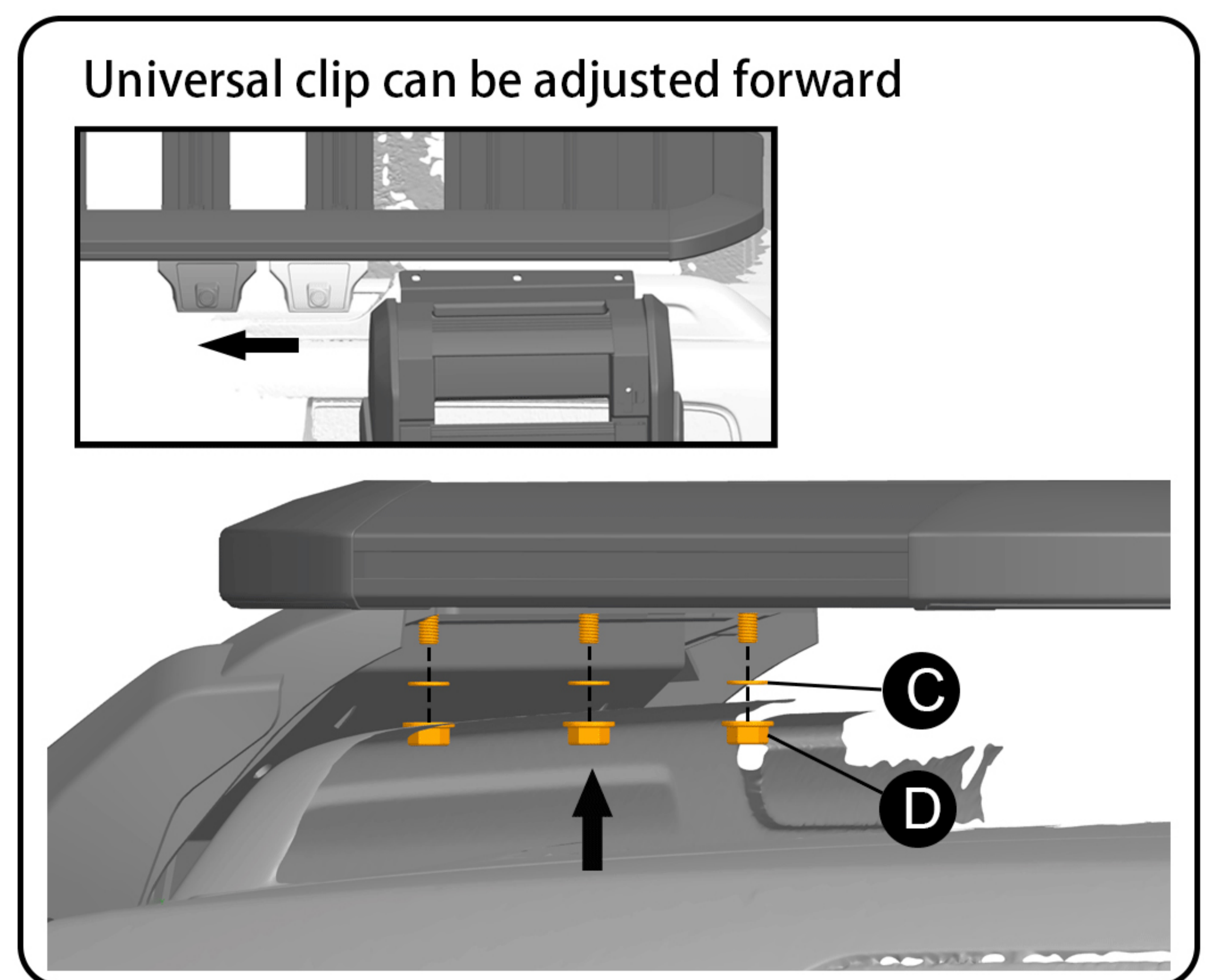
2 INSTALLATION STEPS

Figure 2.1



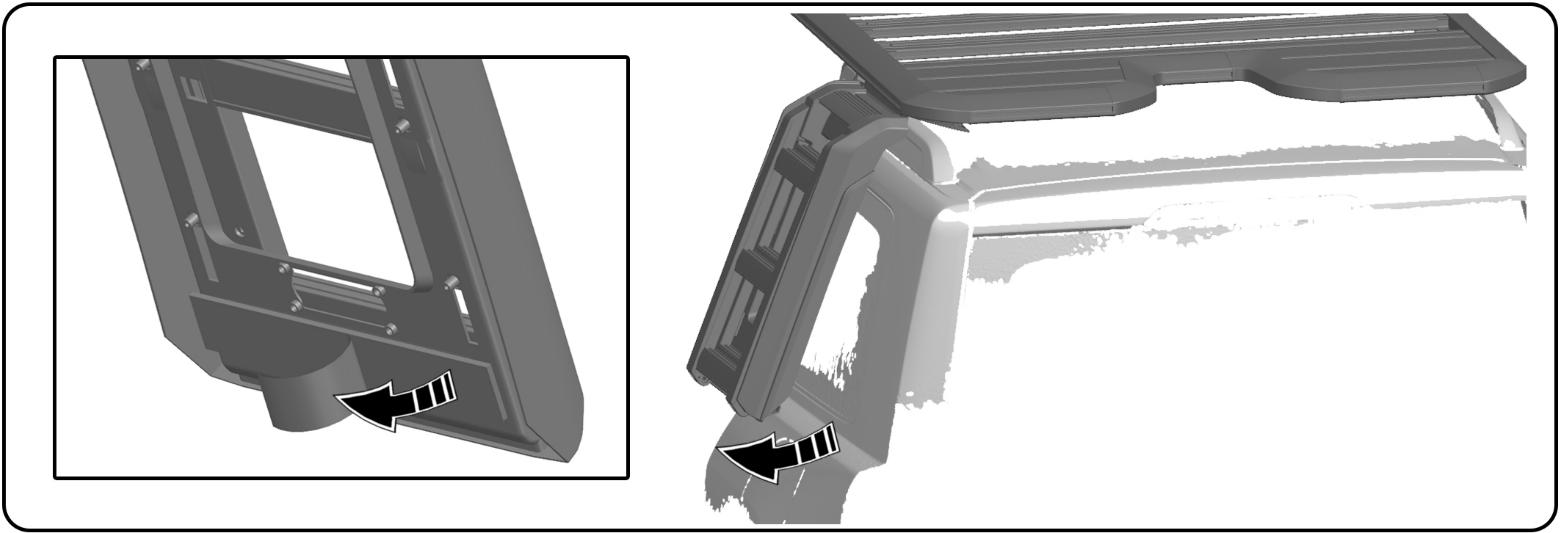
First, slide the T-shaped screw into the inner groove of the platform side beam, and then align the hole of the side ladder bracket with the T-shaped screw.

Figure 2.2



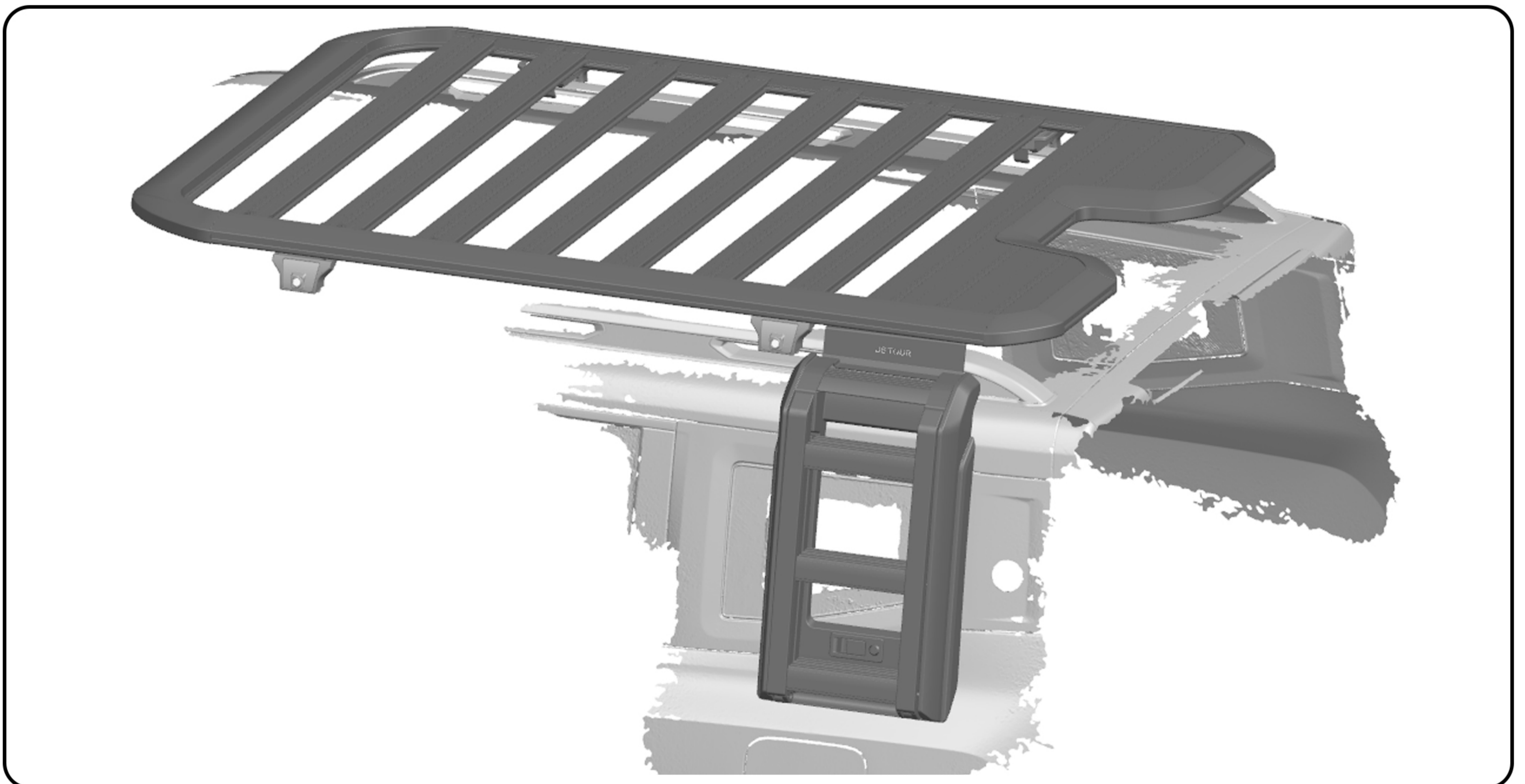
If the universal clamp hinders the installation of the side ladder, the universal clamp can be adjusted forward, Place washers and secure it with nuts.

Figure 2.3



Grasp the bottom of the side ladder and pull it outward for a short distance, remove the sticker, then slowly stick the side ladder onto the car and press it down.

Figure 2.4



Side ladder installation completed.